

JOB NAME \_\_\_\_\_

CONTACT \_\_\_\_\_

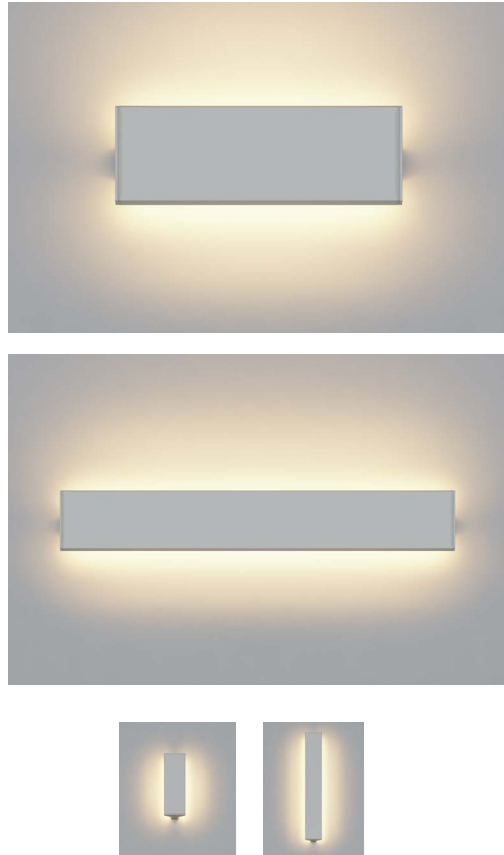
ORDERING CODE \_\_\_\_\_

## ORDERING CODE

<b>SERIES</b>	<b>WALL</b>	indoor wall sconce
<b>TYPE</b>	<b>RUN1</b> <b>RUN2</b>	Runner indirect 16", 16W, 1750lm Runner indirect 36", 30W, 3000lm
<b>CCT</b>	<b>30K</b>	3000K
<b>CRI</b>	<b>90</b>	90 CRI
<b>VOLTAGE</b>	<b>UNV</b>	120V-277V
<b>DIMMING</b>	<b>10V</b>	0-10V dimming to 10%
<b>FINISH</b>	<b>WH</b>	white

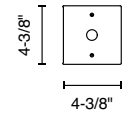
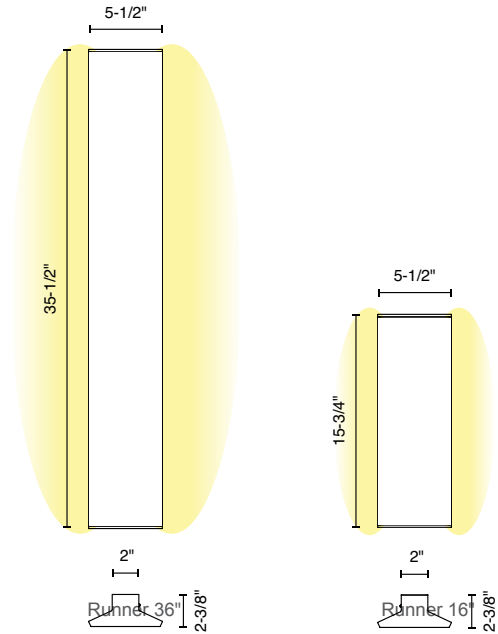
# RUNNER

## Indirect Wall/Ceiling



ORDERING CODE \_\_\_\_\_

Follow the steps to specify your fixture, example:  
**WALL - RUN1 - 30K - 90 - UNV - 10V - WH**



Junction Box Cover Plate, White  
(Included, Optional use)

### DESCRIPTION

Runner is an indirect, linear, surface mount for wall or ceiling. It delivers even illumination on the surface and is offered in 16" and 36" lengths with a white finish. It includes a flush mount field paintable junction box cover.

### HOUSING

Extruded aluminum housing with white finish.

### MOUNTING

Mount to 3-1/2" to 4" octagonal or 4" square recessed junction box.

### ELECTRICAL/CONTROLS

- Dimmer: Lutron DVELV-300P

### LISTINGS

- ETLus Listed to UL1598 (suitable for dry and damp locations)
- cETL Listed to CSA C22.2 #250.0
- ADA Compliant

### LED INFO

- LED: Edison SMD LED Strip
- Lumen Maintenance:  $L_{70} > 50,000$  hrs
- Warranty: 5 year limited warranty